

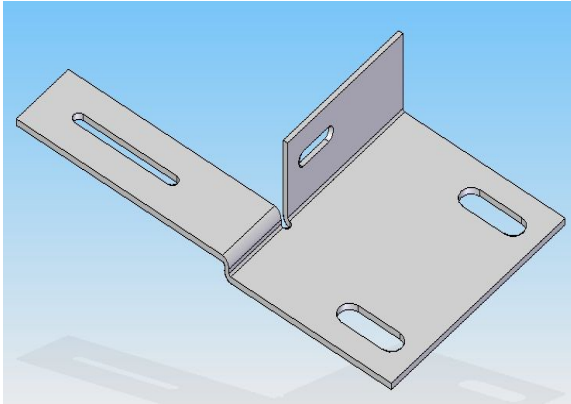
### 1. Purpose

The Fiber Distribution Box (FDB) is designed to combine up to four one inch conduits into the box before entering the cabinet. Using the FDB gives you ability to utilize one HUB entry of the cabinet for four different projects (runs) of fiber. The shared path of the fiber is the distance between the box and the HUB. The short shared path will prevent the fiber from damaging when the next run occurs. The FDB can be mounted on the top (all four sites, on the top or right next to it using Bracket 1) of the cabinet or the side using Bracket 2 (all four sites), if there is no physical space. The mounting space has to be determined before the job begins. We are providing two special brackets for mounting, so after determining where the FDB will be mounted you can use one of the brackets. The bracket has to be mounted to the box first , then use the eye-hook at the selected side of the cabinet to finish mounting and fastening the FDB to the cabinet. The FDB has two doors for easy access, but if mounted to the side of the cabinet one of the door will not be operational. The required clearance for top mounting is at least 10 inches and clearance for opening the door has to be considered.

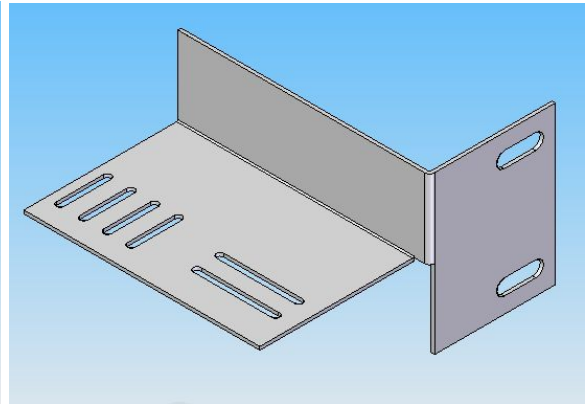
The FDB dimensions are 6" X 6" X 6"

<b>Device</b>	<b>Weight</b>
Fiber Distribution Box	4 Lbs.

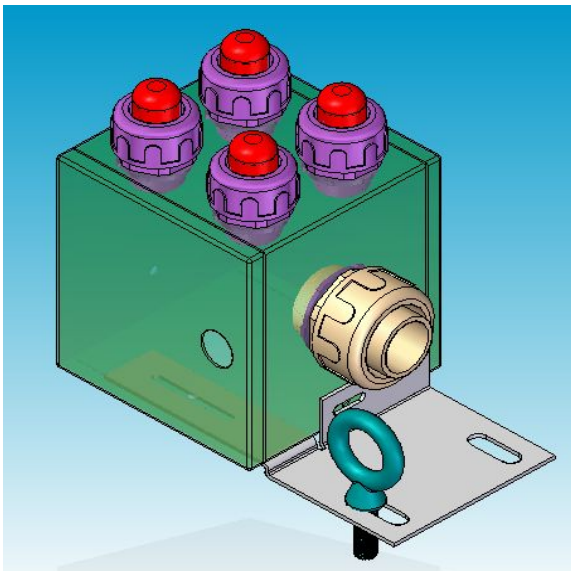
## 2. Product



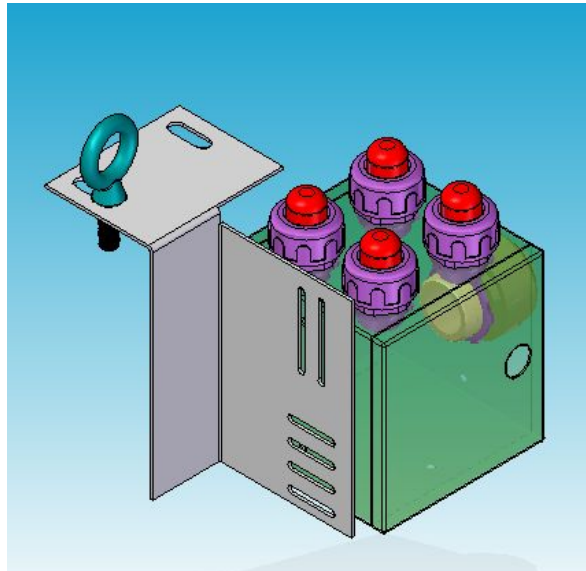
Bracket 1



Bracket 2



Top mounting



Side mounting

### 2.1. Material

#### **Powder coated steel**

The FDB is manufactured using 14 gauges steel and it is NEMA 12 compliant. It comes pre-assembled.

### 2.2. List of Parts:

1. Fiber Distribution Box with four inputs for 1 inch conduit entries (covered) and one output 1½ inch conduit exit.
2. One 1½ elbow with 1½ conduit mounted.
3. Two feet flexible 1½ conduit.
4. Two brackets.

Part number:  
RCD-FDB-665-4115



Design and manufactured in America

### 2.3. Installation

1. Find the place for the box (top; side).
2. Mount the chosen bracket to the FDB.
3. Mount the FDB-bracket assembly using the existing eye-hook on the chosen corner of the cabinet.
4. Screw the provided elbow on available HUB on the top of the cabinet, to face the FDB mounting location.
5. Cut the supplied 1½" conduit to size and install it between the box and the HUB.