

# RC Design

## *Extended bracket for Rittal cabinet*

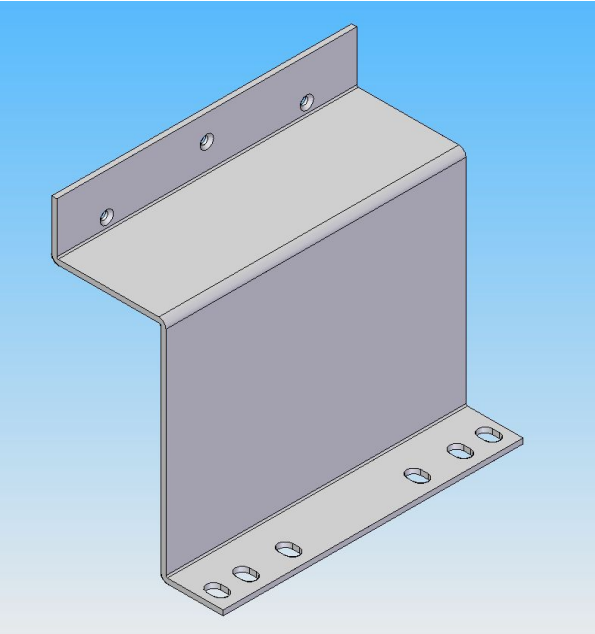
Prepared for NYCT • July, 2014

### 1. Purpose

The Fujitsu Photonic Shelf mounted with the original 23" brackets places the device 6 inches from the front of the frame. This creates a problem when trying to close the door of the cabinet. The Z shape bracket we designed will recede the Fujitsu Photonic Shelf into the frame. Only the cover plate will be visible from the front of the frame.

Device	Weight
Fujitsu Photonic Shelf switch	25 Lbs.

### 2. Product



## 2.1. Material

13 Gauge powder coated Standard sheet metal or equivalent.

List of Parts:

1. Two Z shape brackets

Part number  
RCD-2319-UNV-FPS-03RU



Designed and manufactured in America

## 2.2. Installation

1. The bracket has left and right site clearly marked.
2. Secure the Z shape to the Fujitsu Photonic Shelve
3. Secure the assembly to the front of the frame.