

RC Designs

Extended bracket for CDS

Prepared for NYCT • May 26, 2014

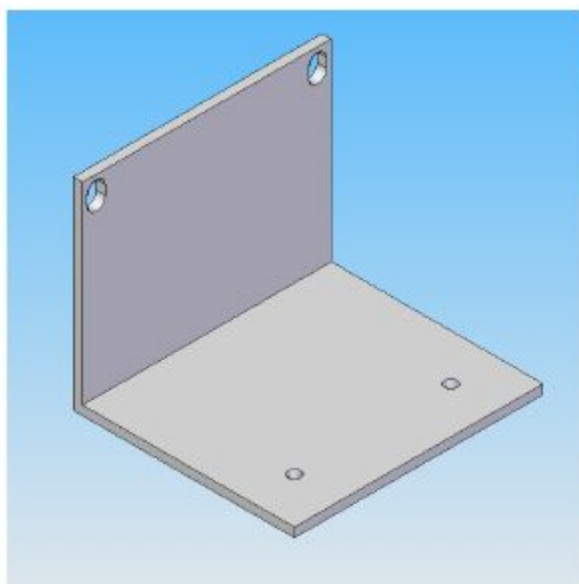
1. Purpose

The Fujitsu CDS mounted with the original 23" brackets places the device 8 inches from the front of the frame. This creates a problem when trying to close the door or run the AC. The L shape bracket we design will recede the Fujitsu CDS into the frame. Only the cover plate will be visible from the front of the frame.

This bracket will occupy only two RU

Device	Weight
Fujitsu CDS Switch	13 Lbs.

2. Product



2.1. Material

Aluminum Alloy 6061-T6 or equivalent per ASTM B221 or powder coated sheet metal

Yield Strength	35,000 PSI
Hardness	80 Brinell
Temperature	-320°F to 300°F
Heat Treat	T6 Solution heat treated and artificially aged.

List of Parts:

1. Tho L shape brackets (Left and Right)

Part number:

RCD-2319-UNV-CDS-02RU



Design and manufactured in America

2.2. Installation

1. The bracket has left and right site clearly marked.
2. Secure the L shape to the Fujitsu CDS
3. Secure the assembly to the front of the frame.